

**THORNTON**

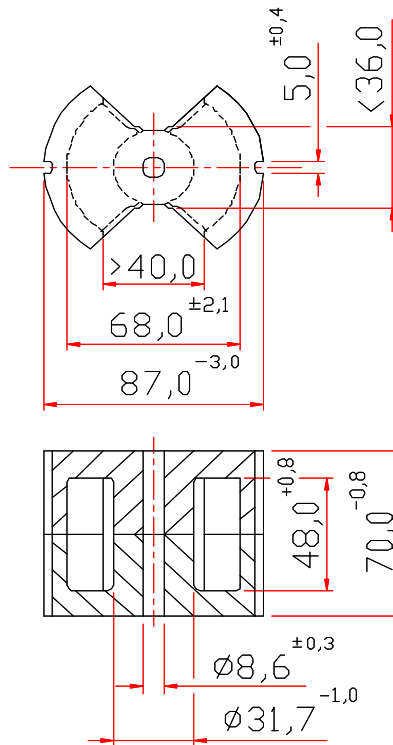
Thornton  
Eletrônica Ltda

**PM-87**

**Effective Core Parameters:**

<b>SI/A</b>	0,17	mm <sup>-1</sup>
<b>Le</b>	153,0	mm
<b>Ae</b>	915,0	mm <sup>2</sup>
<b>Amin</b>	- - -	mm <sup>2</sup>
<b>Ve</b>	140000,0	mm <sup>3</sup>

Weight Approx. (piece) 817,00 g



Dimensions in mm

**WITHOUT GAP**

DESCRIPTION ORDER	MATERIAL	AI [nH]	Tol.%	~g [mm]	~ µe
PM-87/70-10000-IP12R	IP12R	10000	± 25	---	1353
PM-87/70-10000-IP6	IP6	10000	± 25	---	1353

Others AL's by consulting