

THORNTON

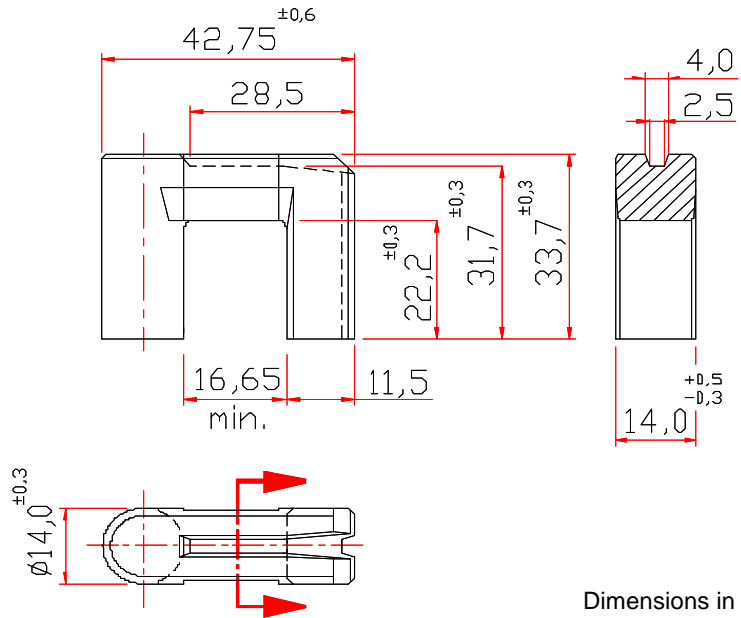
Thornton
Eletrônica Ltda

NUR-42/34/14

Effective Core Parameters:

SI/A	1,051	mm ⁻¹
Le	163,25	mm
Ae	155,3	mm ²
Amin	- - -	mm ²
Ve	25353	mm ³

Weight Approx. (piece) 62,5 g



WITHOUT GAP

DESCRIPTION ORDER	MATERIAL	Al [nH]	Tol.%	~g [mm]	~ μe
NUR-42/34/14-IP6	IP6	- - -	- - -	- - -	- - -
NUR-42/34/14-IP12R	IP12R	- - -	- - -	- - -	- - -