

THORNTON

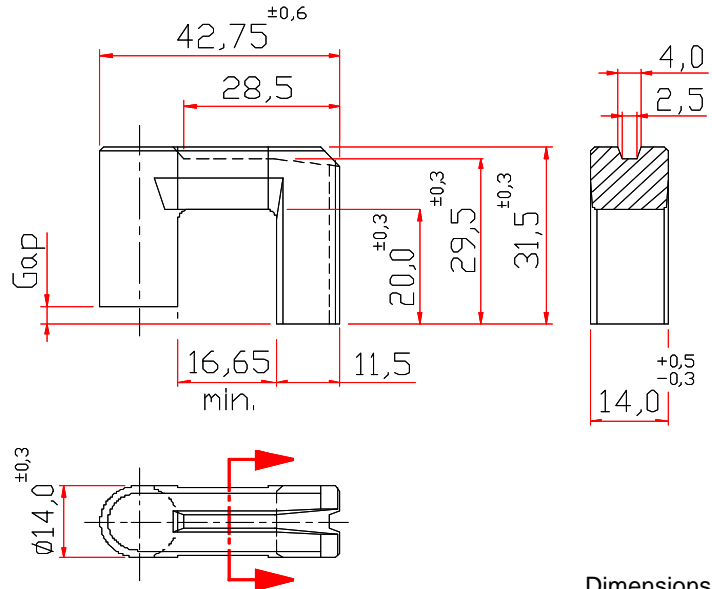
Thornton
Eletrônica Ltda

NUR-42/32/14

Effective Core Parameters:

S I/A	0,991	mm ⁻¹
Le	154,46	mm
Ae	155,87	mm ²
Amin	- - -	mm ²
Ve	24075	mm ³

Weight Approx. (piece) 59,3 g



Dimensions in mm

WITHOUT GAP

DESCRIPTION ORDER	MATERIAL	Al [nH]	Tol. %	~g [mm]	~ μe
NUR-42/32/14-IP12R	IP12R	- - -	- - -	- - -	- - -