

THORNTON

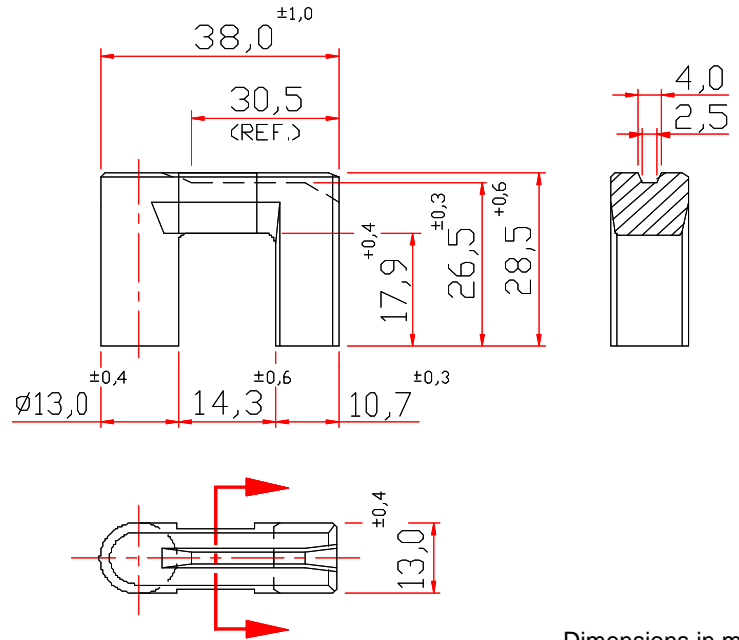
Thornton
Eletrônica Ltda

NUR-38/28/13

Effective Core Parameters:

S I/A	1,034	mm ⁻¹
Le	136,42	mm
Ae	131,99	mm ²
Amin	- - -	mm ²
Ve	18006,15	mm ³

Weight Approx. (piece) 45,0 g



Dimensions in mm

WITHOUT GAP

DESCRIPTION ORDER	MATERIAL	Al [nH]	Tol. %	~g [mm]	~ µe
NUR-38/28/13-IP12R	IP12R	- - -	- - -	- - -	- - -