

**THORNTON**

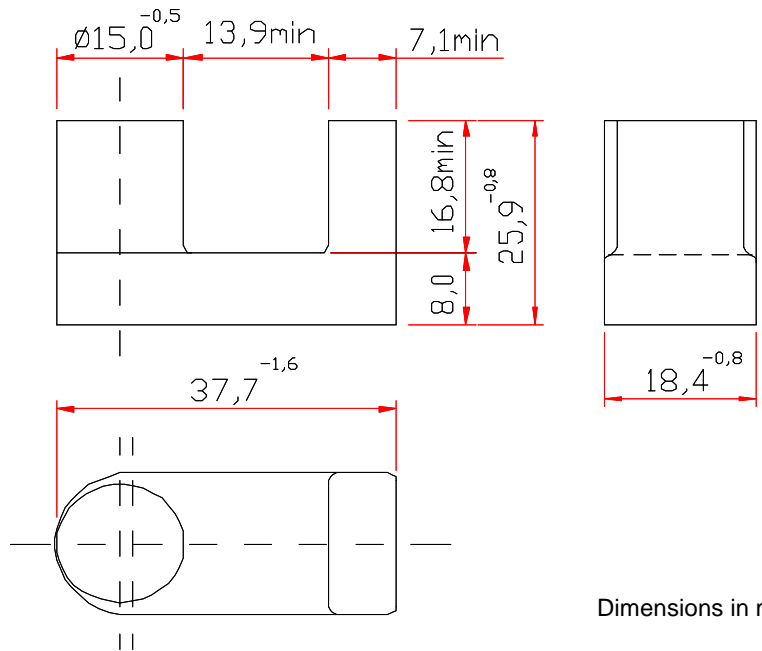
Thornton  
Eletrônica Ltda

**NUR-37/26/18**

**Effective Core Parameters:**

|              |         |                  |
|--------------|---------|------------------|
| <b>S I/A</b> | 0,83    | mm <sup>-1</sup> |
| <b>Le</b>    | 125,0   | mm               |
| <b>Ae</b>    | 150,0   | mm <sup>2</sup>  |
| <b>Amin</b>  | - - -   | mm <sup>2</sup>  |
| <b>Ve</b>    | 18750,0 | mm <sup>3</sup>  |

Weight Approx. (piece) 51,2 g



Dimensions in mm

**WITHOUT GAP**

| DESCRIPTION ORDER | MATERIAL | Al [nH] | Tol.% | ~g [mm] | ~ $\mu\text{e}$ |
|-------------------|----------|---------|-------|---------|-----------------|
| NUR-37/26/18-IP6  | IP6      | - - -   | - - - | - - -   | - - -           |