

**THORNTON**

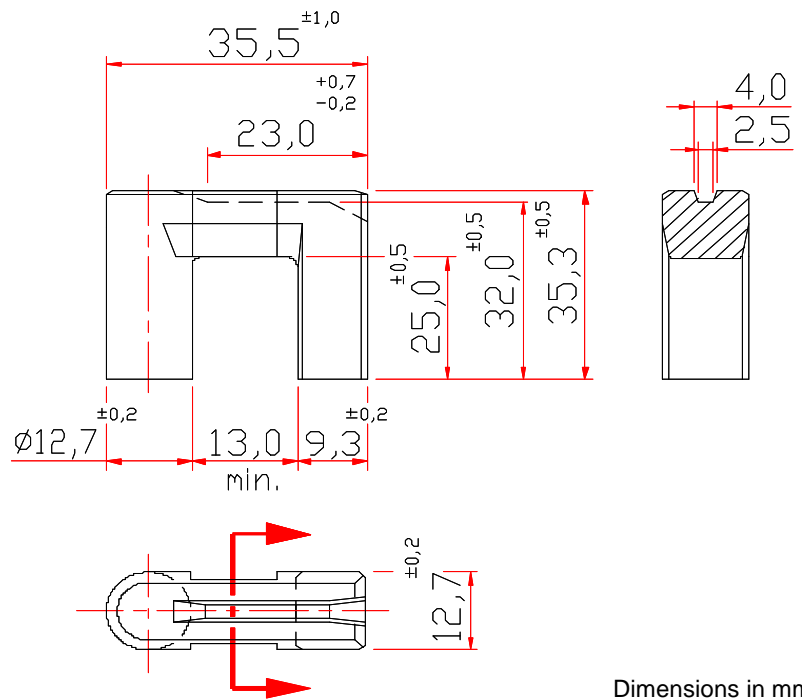
Thornton  
Eletrônica Ltda

**NUR-35/35/13**

**Effective Core Parameters:**

<b>S I/A</b>	1,36	mm <sup>-1</sup>
<b>Le</b>	162,4	mm
<b>Ae</b>	119,4	mm <sup>2</sup>
<b>Amin</b>	- - -	mm <sup>2</sup>
<b>Ve</b>	19390,5	mm <sup>3</sup>

Weight Approx. (piece) 48,0 g



Dimensions in mm

**WITHOUT GAP**

DESCRIPTION ORDER	MATERIAL	Al [nH]	Tol.%	~g [mm]	~ μe
NUR-35/35/13-IP12R	IP12R	- - -	- - -	- - -	- - -