

THORNTON

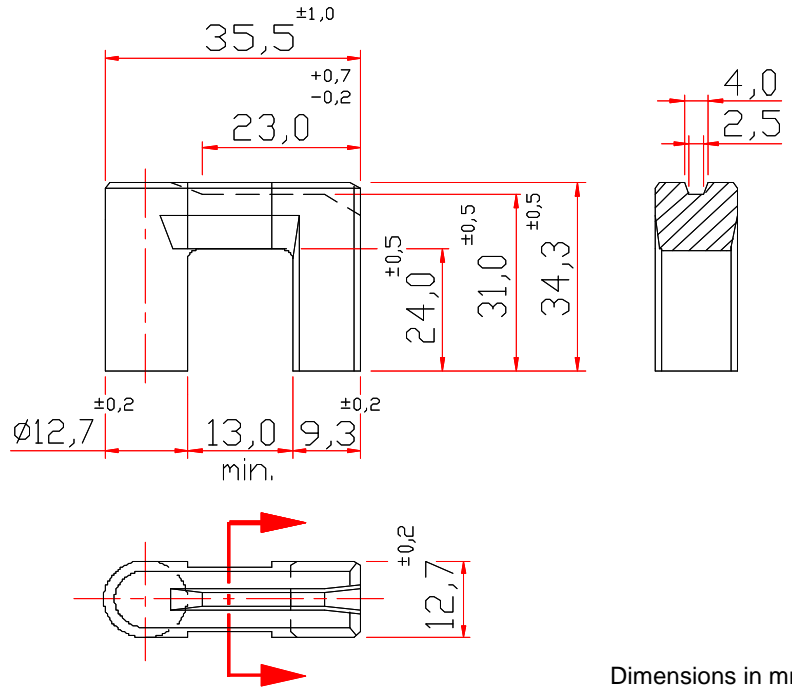
Thornton
Eletrônica Ltda

NUR-35/34/13

Effective Core Parameters:

SI/A	1,34	mm ⁻¹
Le	160,4	mm
Ae	119,4	mm ²
Amin	- - -	mm ²
Ve	19152,0	mm ³

Weight Approx. (piece) 46,0 g



WITHOUT GAP

DESCRIPTION ORDER	MATERIAL	AI [nH]	Tol.%	~g [mm]	~ μe
NUR-35/34/13-IP6	IP6	- - -	- - -	- - -	- - -
NUR-35/34/13-IP12R	IP12R	- - -	- - -	- - -	- - -