

**THORNTON**

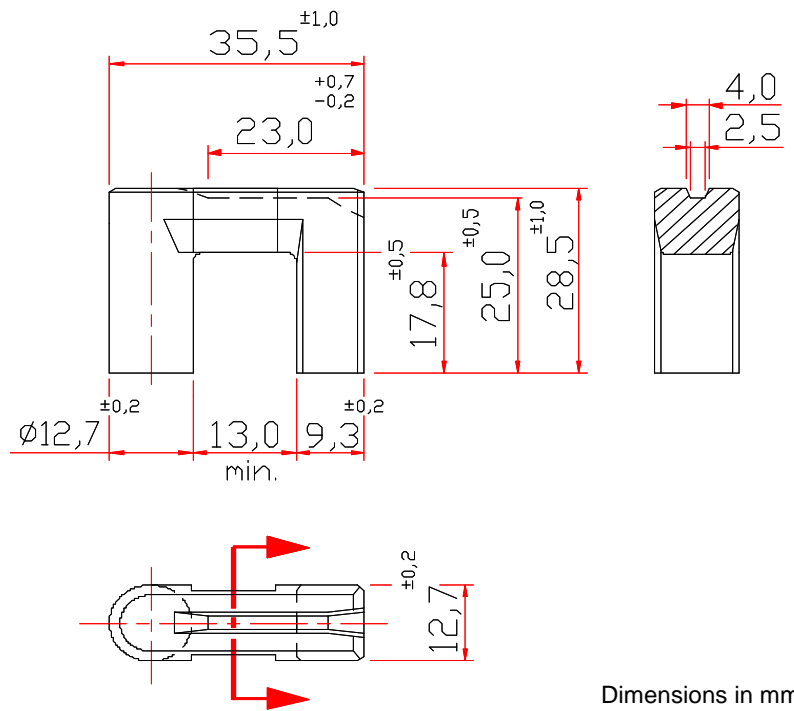
Thornton  
Eletrônica Ltda

**NUR-35/29/13**

**Effective Core Parameters:**

|             |         |                  |
|-------------|---------|------------------|
| <b>SI/A</b> | 1,443   | mm <sup>-1</sup> |
| <b>Le</b>   | 172,4   | mm               |
| <b>Ae</b>   | 119,4   | mm <sup>2</sup>  |
| <b>Amin</b> | - - -   | mm <sup>2</sup>  |
| <b>Ve</b>   | 20584,5 | mm <sup>3</sup>  |

Weight Approx. (piece) 39,0 g



Dimensions in mm

**WITHOUT GAP**

| DESCRIPTION ORDER  | MATERIAL | Al [nH] | Tol.% | ~g [mm] | ~ μe  |
|--------------------|----------|---------|-------|---------|-------|
| NUR-35/29/13-IP12R | IP12R    | - - -   | - - - | - - -   | - - - |