

THORNTON

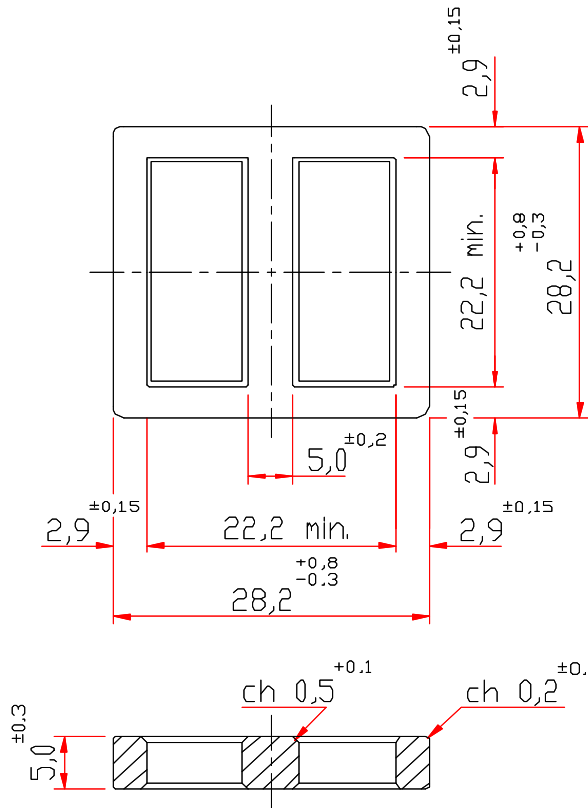
Thornton
Eletrônica Ltda

NQE-28/28/5

Effective Core Parameters:

S I/A	2,50	mm ⁻¹
Le	34,4	mm
Ae	13,8	mm ²
Amin	- - -	mm ²
Ve	474,0	mm ³

Weight Approx. (piece) 10,0 g



Dimensions in mm

WITHOUT GAP

DESCRIPTION ORDER	MATERIAL	Al [nH]	Tol.%	~g [mm]	~ μe
NQE-28/28/5-TH50	TH50	2100	+50 / -20	- - -	4177

Others AL's by consulting