

THORNTON

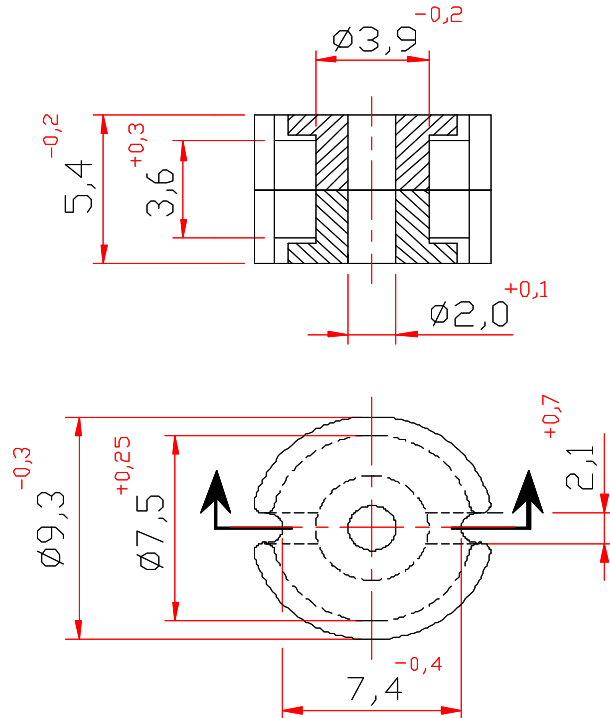
Thornton
Eletrônica Ltda

NP-9/5

Effective Core Parameters:

SI/A	1,25	mm ⁻¹
Le	12,5	mm
Ae	10,0	mm ²
Amin	- - -	mm ²
Ve	125,0	mm ³

Weight Approx. (piece) 0,4 g



Dimensions in mm

WITHOUT GAP

DESCRIPTION ORDER	MATERIAL	AI [nH]	Tol.%	~g [mm]	~ μ e
NP-9/5-800-IP6	IP6	800	+30 / -20	---	800

Others AL's by consulting