

THORNTON

Thornton
Eletrônica Ltda

NP-42/29

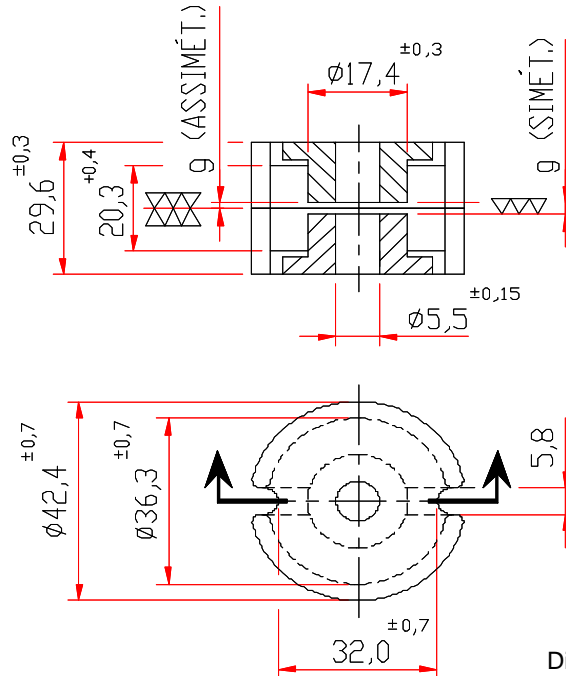
Effective Core Parameters:

SI/A	0,26	mm ⁻¹
Le	68,6	mm
Ae	265,0	mm ²
Amin	- - -	mm ²
Ve	18200,0	mm ³

Weight Approx. (piece) 56,8 g

ACCESSORIES NP-42/29

[click here](#)



Dimensions in mm

WITH GAP

DESCRIPTION ORDER	MATERIAL	AI [nH]	Tol.%	~g [mm]	~ µe
NP-42/29-50-IP6	IP6	50	± 3	9,70*	10,3
NP-42/29-100-IP6	IP6	100	± 3	4,60*	21
NP-42/29-115-IP6	IP6	115	± 3	4,00*	24
NP-42/29-145-IP6	IP6	145	± 3	2,90	30
NP-42/29-250-IP6	IP6	250	± 3	1,43	52
NP-42/29-320-IP6	IP6	320	± 3	1,10	66
NP-42/29-400-IP6	IP6	400	± 3	0,75	83
NP-42/29-400-IP12R	IP12R	400	± 3	0,75	83
NP-42/29-630-IP6	IP6	630	± 3	0,43	130
NP-42/29-1250-IP6	IP6	1250	± 3	0,19	259
NP-42/29-2000-IP6	IP6	2000	± 5	0,12	414

* Simetrical gap

WITHOUT GAP

DESCRIPTION ORDER	MATERIAL	AI [nH]	Tol.%	~g [mm]	~ µe
NP-42/29-7000-IP6	IP6	7000	+30 / -20	- - -	1448
NP-42/29-7000-IP12R	IP12R	7000	+30 / -20	- - -	1448

Others AL's by consulting