

THORNTON

Thornton
Eletrônica Ltda

NP-30/19

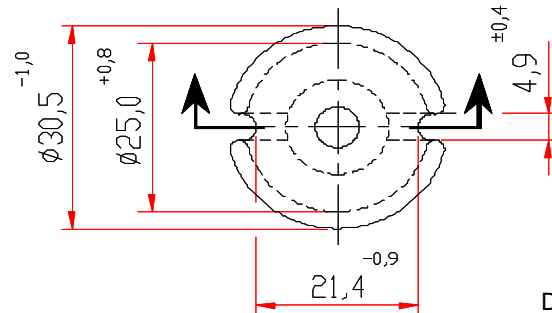
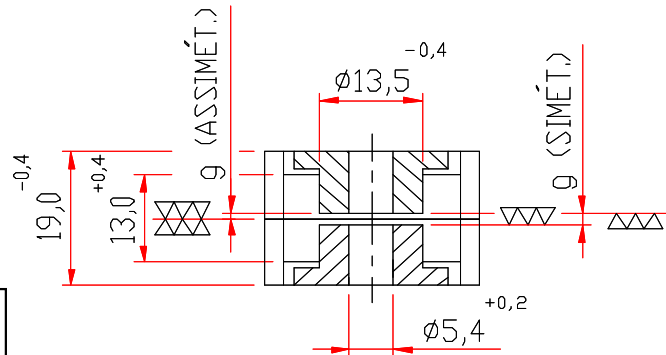
Effective Core Parameters:

S I/A	0,33	mm ⁻¹
Le	45,0	mm
Ae	136,0	mm ²
Amin	- - -	mm ²
Ve	6120,0	mm ³

Weight Approx. (piece) 19,0 g

ACCESSORIES NP-30/19

[click here](#)



Dimensions in mm

WITH GAP

DESCRIPTION ORDER	MATERIAL	Al [nH]	Tol.%	~g [mm]	~ µe
NP-30/19-100-IP6	IP6	100	± 3	2,20*	26
NP-30/19-125-IP6	IP6	125	± 3	1,75*	33
NP-30/19-160-IP6	IP6	160	± 3	1,30	42
NP-30/19-250-IP6	IP6	250	± 3	0,72	66
NP-30/19-377-IP6	IP6	377	± 3	0,45	99
NP-30/19-400-IP6	IP6	400	± 3	0,41	105
NP-30/19-400-IP12R	IP12R	400	± 3	0,41	105
NP-30/19-630-IP6	IP6	630	± 3	0,24	165
NP-30/19-900-IP6	IP6	900	± 3	0,15	236
NP-30/19-1000-IP6	IP6	1000	± 3	0,12	263
NP-30/19-1250-IP6	IP6	1250	± 5	0,10	328
NP-30/19-2000-IP6	IP6	2000	± 10	0,05	525

* Simetrical gap

WITHOUT GAP

DESCRIPTION ORDER	MATERIAL	Al [nH]	Tol.%	~g [mm]	~ µe
NP-30/19-6200-IP6	IP6	6200	+30 / -20	---	1628
NP-30/19-6200-IP12R	IP12R	6200	+30 / -20	---	1628
NP-30/19-10000-TH50	TH50	10000	+30 / -20	---	2625

Others AL's by consulting