

THORNTON

Thornton
Eletrônica Ltda

NP- 26/16

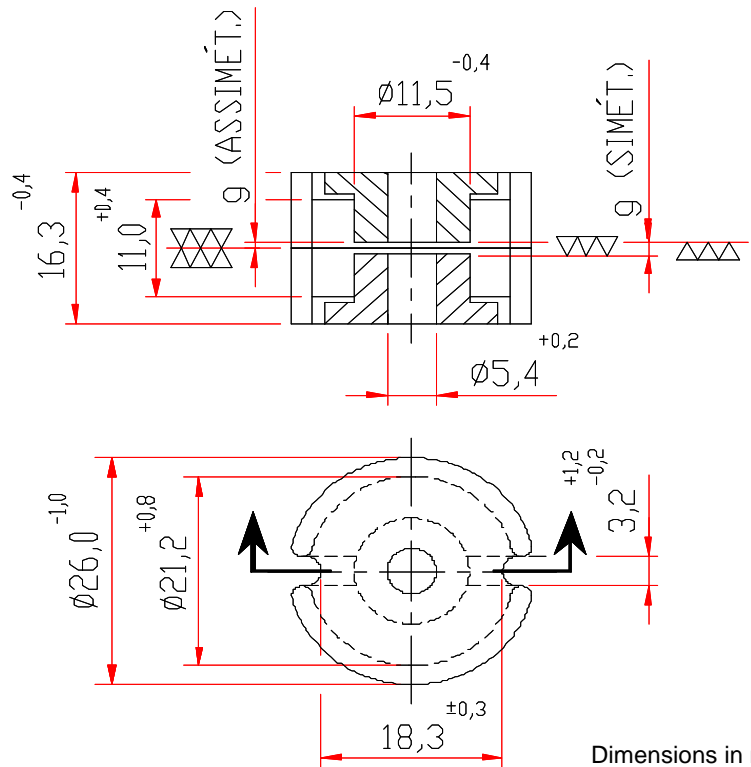
Effective Core Parameters:

SI/A	0,40	mm ⁻¹
Le	37,5	mm
Ae	94,0	mm ²
Amin	---	mm ²
Ve	3520,0	mm ³

Weight Approx. (piece) 11,5 g

ACCESSORIES NP-26

[click here](#)



Dimensions in mm

WITH GAP

DESCRIPTION ORDER	MATERIAL	Al [nH]	Tol.%	~g [mm]	~ μ e
NP-26/16-63-IP6	IP6	63	± 3	*2,80	20
NP-26/16-100-IP6	IP6	100	± 3	*1,20	32
NP-26/16-125-IP6	IP6	125	± 3	1,10	40
NP-26/16-148-IP6	IP6	148	± 3	0,90	47
NP-26/16-160-IP6	IP6	160	± 3	0,83	51
NP-26/16-200-IP6	IP6	200	± 3	0,58	64
NP-26/16-200-IP12R	IP12R	200	± 3	0,58	64
NP-26/16-250-IP6	IP6	250	± 3	0,45	80
NP-26/16-300-IP6	IP6	300	± 3	0,35	95
NP-26/16-400-IP6	IP6	400	± 3	0,25	127
NP-26/16-600-IP6	IP6	600	± 3	0,20	190
NP-26/16-630-IP6	IP6	630	± 3	0,15	200
NP-26/16-630-IP12R	IP12R	630	± 3	0,15	200
NP-26/16-630-IP612	IP612	630	± 3	0,15	200
NP-26/16-800-IP6	IP6	800	± 3	0,11	255
NP-26/16-1000-IP6	IP6	1000	± 10	0,09	318

* Simetrical gap

WITHOUT GAP

DESCRIPTION ORDER	MATERIAL	Al [nH]	Tol.%	~g [mm]	~ μ e
NP-26/16-4900-IP6	IP6	4900	+30 / -20	---	1560
NP-26/16-7500-IP6	IP6	7500	+30 / -20	---	2387
NP-26/16-10000-TH50	TH50	10000	+30 / -20	---	3183

Others AL's by consulting