

THORNTON

Thornton
Eletrônica Ltda

NP-23/17

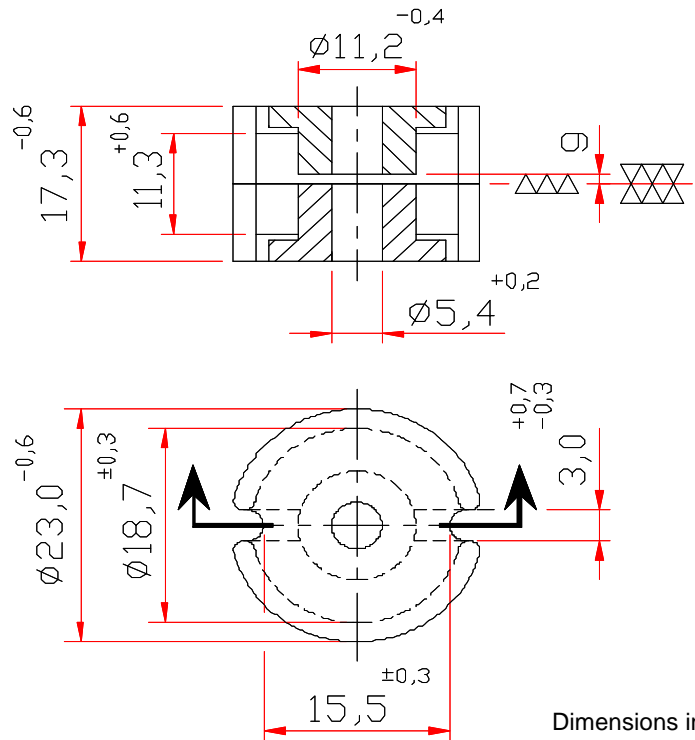
Effective Core Parameters:

S I/A	0,4	mm ⁻¹
Le	36,5	mm
Ae	91,0	mm ²
Amin	- - -	mm ²
Ve	3320,0	mm ³

Weight Approx. (piece) 10,5 g

ACCESSORIES NP-23

[click here](#)



Dimensions in mm

WITH GAP

DESCRIPTION ORDER	MATERIAL	Al [nH]	Tol.%	~g [mm]	~ μe
NP-23/17-94-IP6	IP6	94	± 3	1,65	29,9
NP-23/17-100-IP6	IP6	100	± 3	1,44	32
NP-23/17-160-IP6	IP6	160	± 3	0,78	51
NP-23/17-200-IP6	IP6	200	± 3	0,59	64
NP-23/17-250-IP6	IP6	250	± 3	0,41	80
NP-23/17-400-IP6	IP6	400	± 3	0,24	127
NP-23/17-630-IP6	IP6	630	± 5	0,14	200
NP-23/17-800-IP6	IP6	800	± 5	0,10	255
NP-23/17-1000-IP6	IP6	1000	± 10	0,08	318
NP-23/17-1257-IP6	IP6	1257	± 10	0,05	400

WITHOUT GAP

DESCRIPTION ORDER	MATERIAL	Al [nH]	Tol.%	~g [mm]	~ μe
NP-23/17-4900-IP6	IP6	4900	+30 / -20	---	1560
NP-23/17-7000-IP6	IP6	7000	+30 / -20	---	2228

Others AL's by consulting