

THORNTON

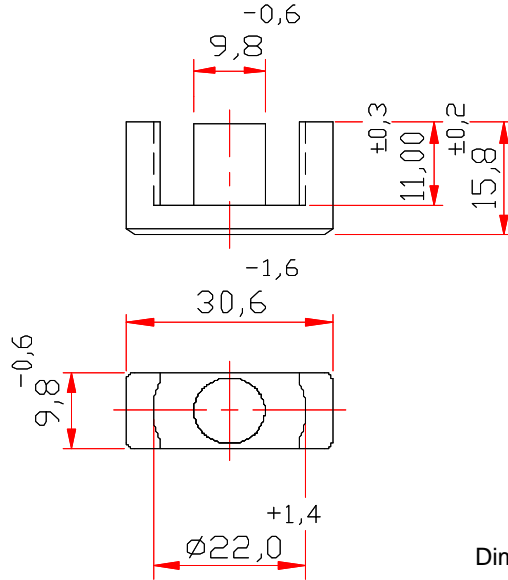
Thornton
Eletrônica Ltda

NETD-29/16/10

Effective Core Parameters:

S I/A	0,947	mm ⁻¹
Le	72,0	mm
Ae	76,0	mm ²
Amin	---	mm ²
Ve	5470	mm ³

Weight Approx. (piece) 14,50 g



Dimensions in mm

WITH GAP

DESCRIPTION ORDER	MATERIAL	Al [nH]	Tol.%	~g [mm]	~ µe
NETD-29/16/10-95-IP12E	IP12E	95	± 10	1,5	71,5
NETD-29/16/10-100-IP12R	IP12R	100	± 8	1,4	75,3
NETD-29/16/10-320-IP12E	IP12E	320	± 10	0,3	241

WITHOUT GAP

DESCRIPTION ORDER	MATERIAL	Al [nH]	Tol.%	~g [mm]	~ µe
NETD-29/16/10-2100-IP6	IP6	2100	± 25	---	1580
NETD-29/16/10-2100-IP12E	IP12E	2100	± 25	---	1580
NETD-29/16/10-2100-IP12R	IP12R	2100	± 25	---	1580

Others AL's by consulting