

THORNTON

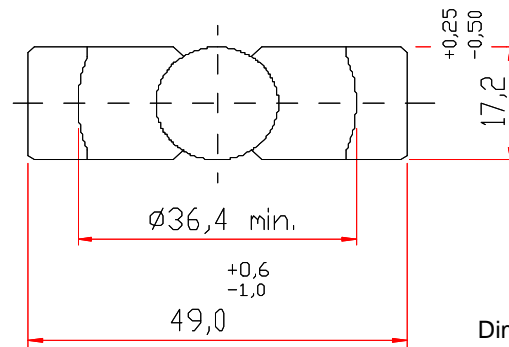
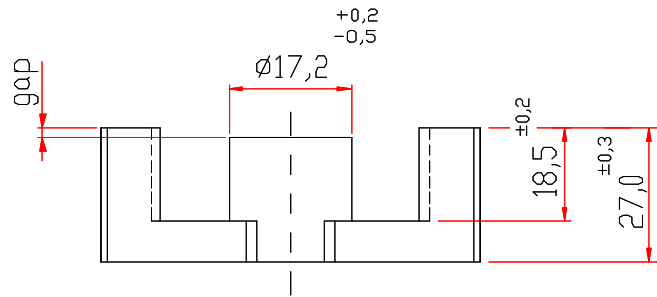
Thornton
Eletrônica Ltda

NER-49/27/17

Effective Core Parameters:

SI/A	0,479	mm ⁻¹
Le	118,0	mm
Ae	246,0	mm ²
Amin	- - -	mm ²
Ve	29087,0	mm ³

Weight Approx. (piece) 73,0 g



Dimensions in mm

WITH GAP

DESCRIPTION ORDER	MATERIAL	Al [nH]	Tol.%	~g [mm]	~ μe
NEER-49/27/17-300-IP12E	IP12E	300	± 10	1,23	115
NEER-49/27/17-300-IP12R	IP12R	300	± 10	1,23	115
NEER-49/27/17-390-IP12E	IP12E	390	± 7	0,85	149
NEER-49/27/17-390-IP12R	IP12R	390	± 7	0,85	149
NEER-49/27/17-390-IP6	IP6	390	± 7	0,85	149

WITHOUT GAP

DESCRIPTION ORDER	MATERIAL	Al [nH]	Tol.%	~g [mm]	~ μe
NEER-49/27/17-4500SG-IP12R	IP12R	4500	± 25	- - -	1715
NEER-49/27/17-4500-IP12E	IP12E	4500	± 25	- - -	1715
NEER-49/27/17-4500-IP12R	IP12R	4500	± 25	- - -	1715
NEER-49/27/17-4500-IP6	IP6	4500	± 25	- - -	1715

Others AL's by consulting