

THORNTON

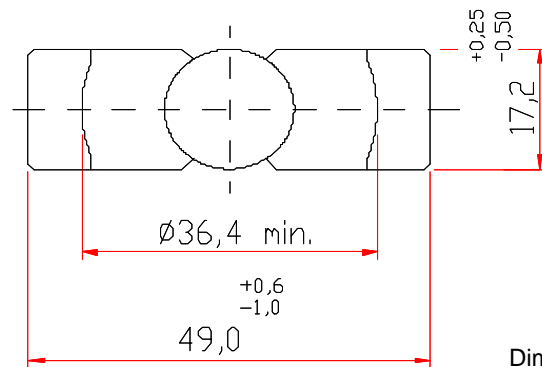
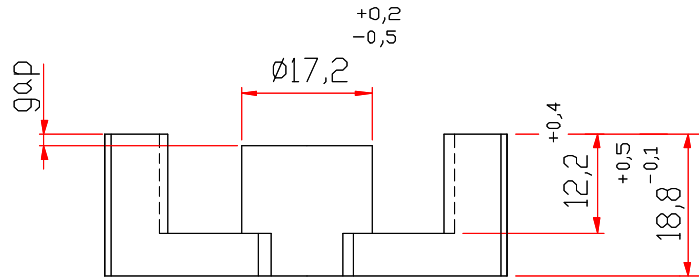
Thornton
Eletrônica Ltda

NER-49/19/17

Effective Core Parameters:

S I/A	0,43	mm ⁻¹
Le	94,0	mm
Ae	220,0	mm ²
Amin	- - -	mm ²
Ve	20680,0	mm ³

Weight Approx. (piece) 52,8 g



Dimensions in mm

WITH GAP

Items with gap by consulting

WITHOUT GAP

DESCRIPTION ORDER	MATERIAL	Al [nH]	Tol.%	~g [mm]	~ µe
NEER-49/19/17-5300-IP12E	IP12E	5300	± 25	- - -	1813
NEER-49/19/17-5300-IP6	IP6	5300	± 25	- - -	1813
NEER-49/19/17-5300-IP12R	IP12R	5300	± 25	- - -	1813

Others AL's by consulting