

THORNTON

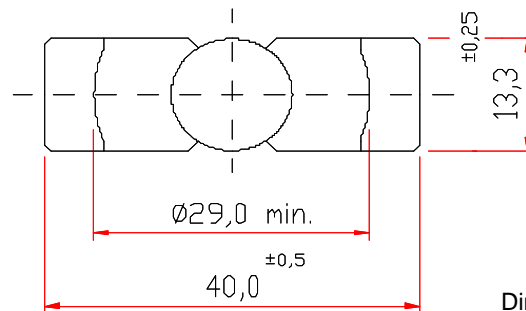
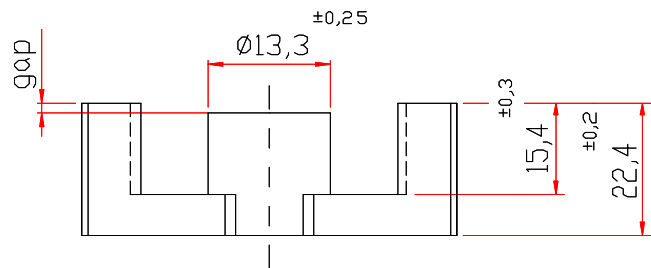
Thornton
Eletrônica Ltda

NER-40/22/13

Effective Core Parameters:

S I/A	0,659	mm ⁻¹
Le	98,0	mm
Ae	149,0	mm ²
Amin	- - -	mm ²
Ve	14600,0	mm ³

Weight Approx. (piece) 39,0 g



Dimensions in mm

WITH GAP

DESCRIPTION ORDER	MATERIAL	Al [nH]	Tol.%	~g [mm]	~ µe
NEER-40/22/13-100-IP12R	IP12R	100	±8	*1,5	52,5
NEER-40/22/13-167-IP12E	IP12E	167	±8	1,41	87,5
NEER-40/22/13-175-IP12R	IP12R	175	±8	1,30	91,7
NEER-40/22/13-240-IP12R	IP12R	240	±8	1,0	126
NEER-40/22/13-250-IP12R	IP12R	250	± 10	0,9	131
NEER-40/22/13-290-IP12R	IP12R	290	±10	0,8	152

* Simetrical gap

WITHOUT GAP

DESCRIPTION ORDER	MATERIAL	Al [nH]	Tol.%	~g [mm]	~ µe
NEER-40/22/13-3200-IP12R	IP12R	3200	+30 / -20	- - -	1678
NEER-40/22/13-3200-IP6	IP6	3200	+30 / -20	- - -	1678

Others AL's by consulting