

THORNTON

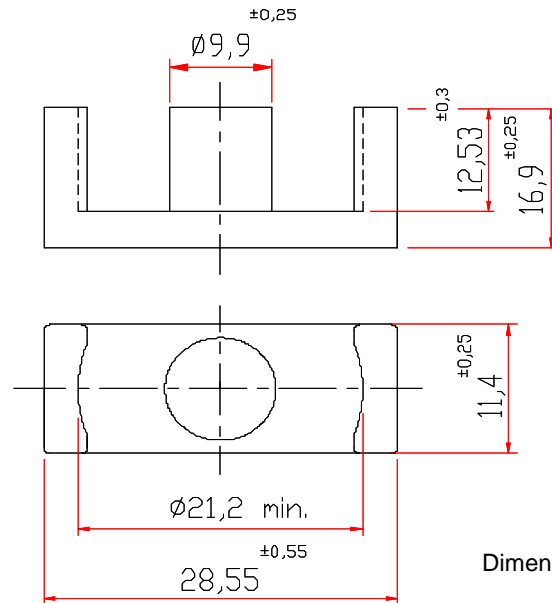
Thornton
Eletrônica Ltda

NER-28/17/12

Effective Core Parameters:

S I/A	0,928	mm ⁻¹
Le	75,5	mm
Ae	81,4	mm ²
Amin	- - -	mm ²
Ve	6140	mm ³

Weight Approx. (piece) 16,5 g



Dimensions in mm

WITH GAP

DESCRIPTION ORDER	MATERIAL	AI [nH]	Tol. %	~g [mm]	~ μ e
NEER-28/17/12-72-IP12R	IP12R	72	± 9	1,30	53,1
NEER-28/17/12-91-IP12E	IP12E	91	± 9	1,85	67,1
NEER-28/17/12-91-IP12R	IP12R	91	± 9	1,85	67,1
NEER-28/17/12-100-IP12E	IP12E	100	± 9	1,30	73,8
NEER-28/17/12-100-IP12R	IP12R	100	± 9	1,30	73,8
NEER-28/17/12-120-IP12E	IP12E	120	± 10	1,20	88,6
NEER-28/17/12-120-IP12R	IP12R	120	± 10	1,20	88,6
NEER-28/17/12-138-IP12R	IP12R	138	± 10	0,95	101,8
NEER-28/17/12-142-IP12R	IP12R	142	± 10	0,84	104,7
NEER-28/17/12-170-IP12E	IP12E	170	± 5	0,67	125,5
NEER-28/17/12-170-IP12R	IP12R	170	± 5	0,67	125,5
NEER-28/17/12-176-IP12E	IP12E	176	± 15	0,65	129,9
NEER-28/17/12-176-IP12R	IP12R	176	± 15	0,65	129,9
NEER-28/17/12-180-IP12E	IP12E	180	± 10	0,63	132,8
NEER-28/17/12-180-IP12R	IP12R	180	± 10	0,63	132,8
NEER-28/17/12-200-IP12E	IP12E	200	± 15	0,45	147,6
NEER-28/17/12-200-IP12R	IP12R	200	± 15	0,45	147,6
NEER-28/17/12-236-IP12R	IP12R	236	± 15	0,43	174
NEER-28/17/12-250-IP12E	IP12E	250	± 15	0,40	184,5
NEER-28/17/12-250-IP12R	IP12R	250	± 15	0,40	184,5
NEER-28/17/12-300-IP12R	IP12R	300	± 15	0,30	221,4
NEER-28/17/12-351-IP12R	IP12R	351	± 15	0,25	259,1
NEER-28/17/12-430-IP12R	IP12R	430	± 15	0,20	317,1
NEER-28/17/12-472-IP12R	IP12R	472	± 15	0,18	348,5
NEER-28/17/12-640-IP12E	IP12E	640	± 25	0,10	472,0
NEER-28/17/12-640-IP12R	IP12R	640	± 25	0,10	472,0

WITHOUT GAP

DESCRIPTION ORDER	MATERIAL	AI [nH]	Tol. %	~g [mm]	~ μ e
NEER-28/17/12-2200-IP12E	IP12E	2200	± 25	- - -	1625
NEER-28/17/12-2200-IP12R	IP12R	2200	± 25	- - -	1625

Others AL's by consulting