

THORNTON

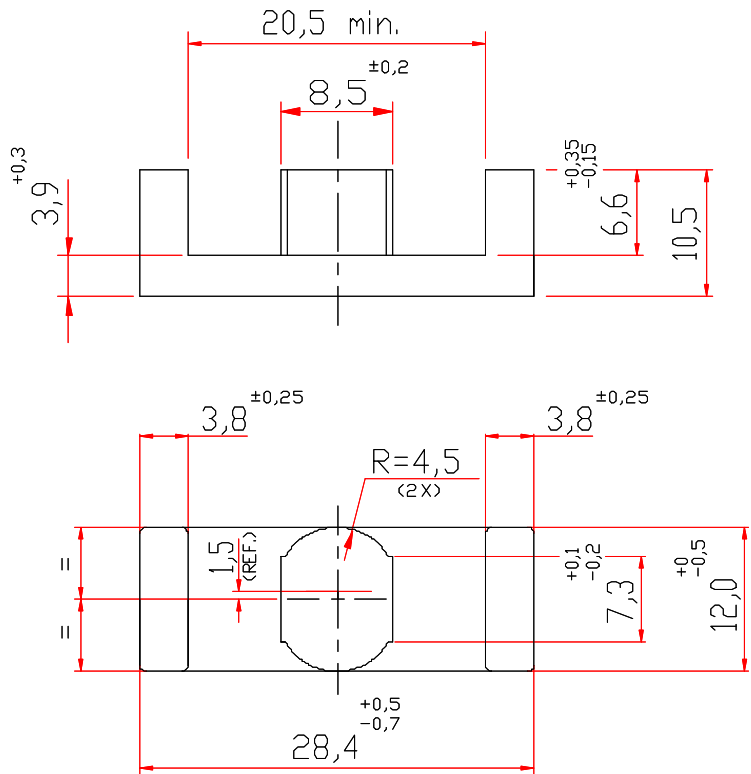
Thornton
Eletrônica Ltda

NER-28/10/12

Effective Core Parameters:

S I/A	0,566	mm ⁻¹
Le	51,0	mm
Ae	90,0	mm ²
Amin	- - -	mm ²
Ve	4590,0	mm ³

Weight Approx. (piece) 11,8 g



Dimensions in mm

WITH GAP

DESCRIPTION ORDER	MATERIAL	AI [nH]	Tol.%	~g [mm]	~ μe
NEER-28/10/12-144-IP12E	IP12E	144	± 5,5	0,85	65,0
NEER-28/10/12-144-IP12R	IP12R	144	± 5,5	0,85	65,0

Others AL's by consulting