

THORNTON

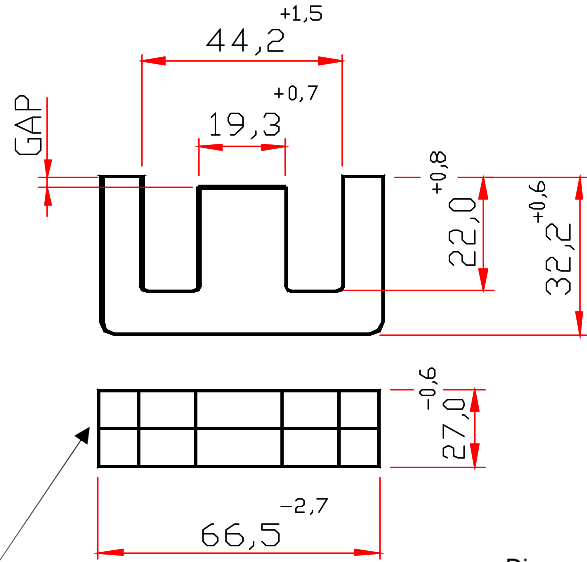
Thornton
Eletrônica Ltda

NEE-65/33/26

Effective Core Parameters:

$\Sigma I/A$	0,28	mm ⁻¹
Le	147,0	mm
Ae	532,0	mm ²
Amin	- - -	mm ²
Ve	78200,0	mm ³

Weight Approx. (piece) 193,5 g



Dimensions in mm

* By our choice, cores may be supplied glued or whole

WITH GAP

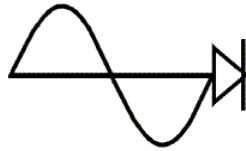
DESCRIPTION ORDER	MATERIAL	Al [nH]	Tol.%	~g [mm]	~ μe
NEE-65/33/26-100-IP12R	IP12R	100	±10	*5,8	22,2
NEE-65/33/26-200-IP12R	IP12R	200	±10	2,5	44,5
NEE-65/33/26-285-IP12R	IP12R	285	± 15	3,5	63,5

* Simetrical gap

WITHOUT GAP

DESCRIPTION ORDER	MATERIAL	Al [nH]	Tol.%	~g [mm]	~ μe
NEE-65/33/26-7200-IP6	IP6	7200	± 25	- - -	1604
NEE-65/33/26-7200-IP12R	IP12R	7200	± 25	- - -	1604

Others AL's by consulting

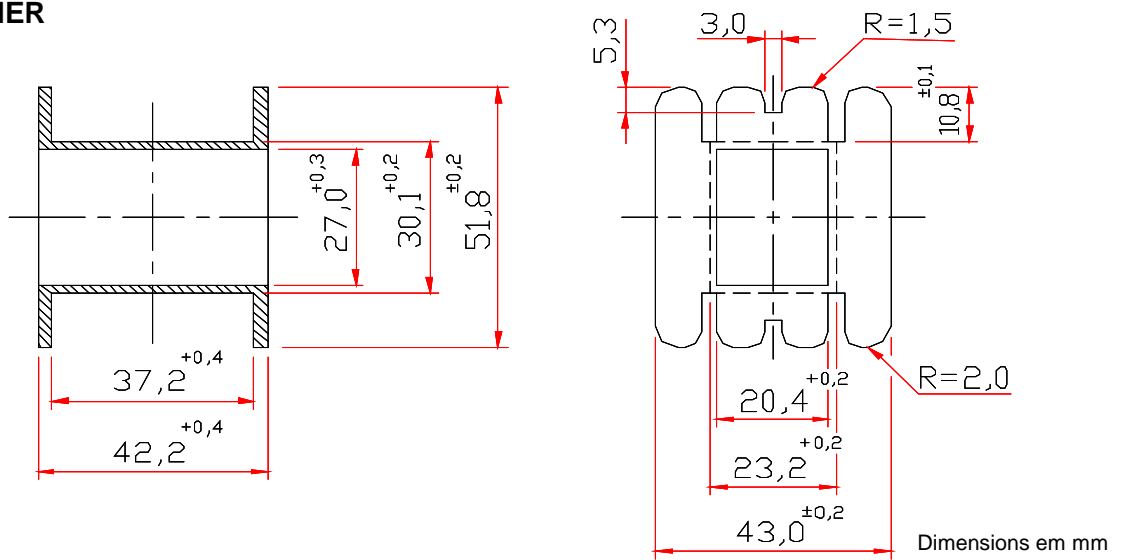


THORNTON

Thornton
Eletrônica Ltda

ACCESSORIES - NEE-65/33/26

COIL FORMER



DESCRIPTION ORDER	NUMBER OF SECTIONS	WINDOW [mm ²]	MEAN LENGTH [mm/turn]	WEIGHT ~ g [mm]	MATERIAL
CE-65/33/26-1/0-POM	1	370,00	148,00	18,00	Polyacetal