

THORNTON

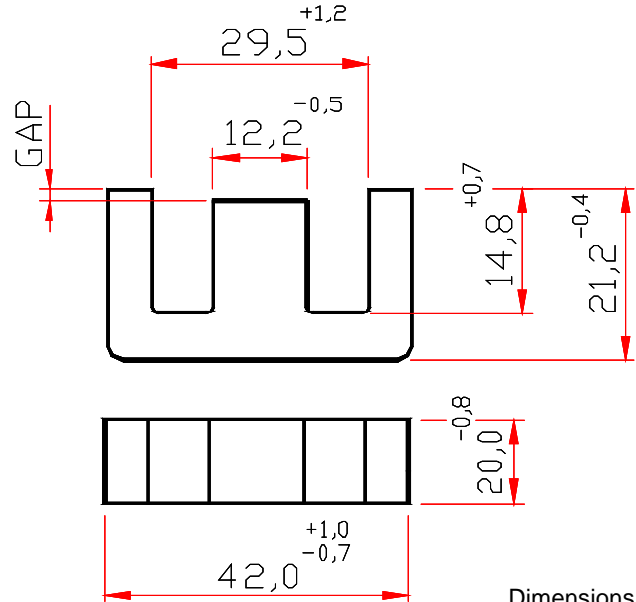
Thornton
Eletrônica Ltda

NEE-42/21/20

Effective Core Parameters:

$\Sigma I/A$	0,41	mm ⁻¹
Le	97,0	mm
Ae	240,0	mm ²
Amin	---	mm ²
Ve	23300,0	mm ³

Weight Approx. (piece) 56,0 g



Dimensions in mm

WITH GAP

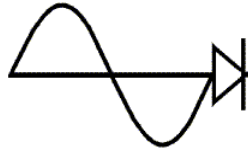
DESCRIPTION ORDER	MATERIAL	Al [nH]	Tol.%	~g [mm]	~ µe
NEE-42/21/20-100-IP6	IP6	100	±10	*2,32	33
NEE-42/21/20-100-IP12R	IP12R	100	±10	*2,32	33
NEE-42/21/20-126-IP12R	IP12R	126	±10	*2,00	41
NEE-42/21/20-136-IP12R	IP12R	136	±10	*1,55	44
NEE-42/21/20-150-IP12R	IP12R	150	±10	*1,50	48,9
NEE-42/21/20-190-IP12R	IP12R	190	±10	2,10	62
NEE-42/21/20-200-IP12R	IP12R	200	±10	2,00	65
NEE-42/21/20-200-IP6	IP6	200	±10	2,00	65
NEE-42/21/20-207-IP12R	IP12R	207	±10	1,90	67,5
NEE-42/21/20-240-IP12E	IP12E	240	±10	1,60	78,28
NEE-42/21/20-240-IP12R	IP12R	240	±10	1,60	78,28
NEE-42/21/20-240-IP6	IP6	240	±10	1,60	78,28
NEE-42/21/20-250-IP6	IP6	250	±10	1,30	82
NEE-42/21/20-250-IP12R	IP12R	250	±10	1,30	82
NEE-42/21/20-340-IP12R	IP12R	340	±10	1,07	111
NEE-42/21/20-340-IP6	IP6	340	±10	1,07	111
NEE-42/21/20-400-IP12R	IP12R	400	±10	0,90	130
NEE-42/21/20-400-IP6	IP6	400	±10	0,90	130
NEE-42/21/20-560-IP6	IP6	560	±10	0,50	183
NEE-42/21/20-925-IP6	IP6	925	±15	0,25	302

* Simetrical gap

WITHOUT GAP

DESCRIPTION ORDER	MATERIAL	Al [nH]	Tol.%	~g [mm]	~ µe
NEE-42/21/20-4750-IP6	IP6	4750	+30 / -20	---	1550
NEE-42/21/20-5500-IP12E	IP12E	5500	±25	---	1794
NEE-42/21/20-5500-IP12R	IP12R	5500	±25	---	1794

Others AL's by consulting

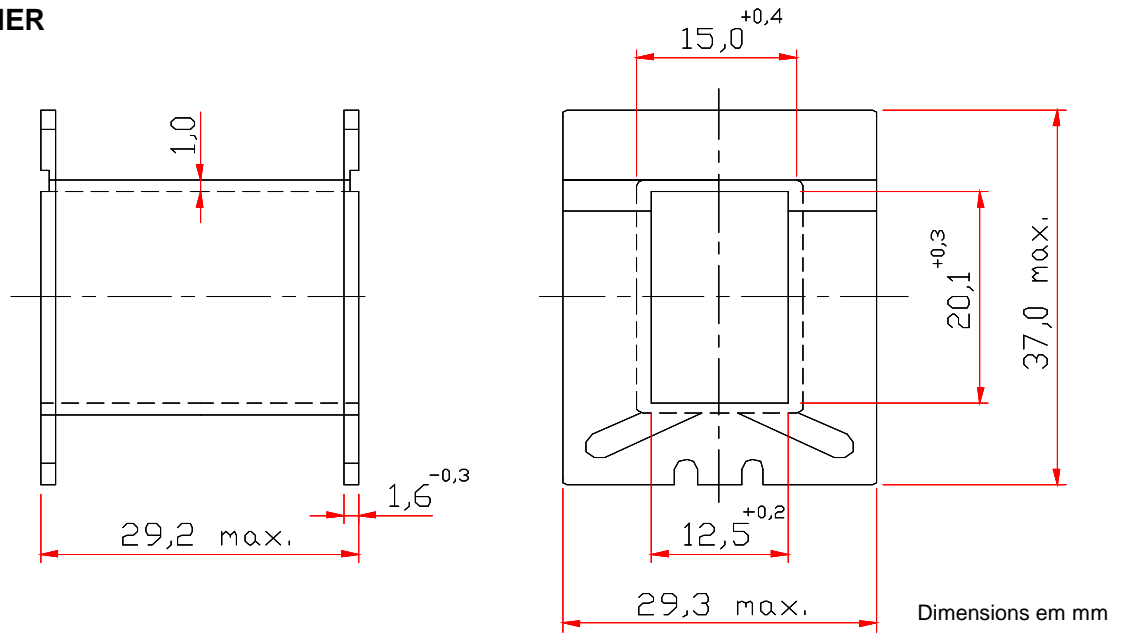


THORNTON

Thornton
Eletrônica Ltda

ACCESSORIES - NEE-42/21/20

COIL FORMER



DESCRIPTION ORDER	NUMBER OF SECTIONS	WINDOW [mm ²]	MEAN LENGTH [mm/turn]	WEIGHT ~ g [mm]	MATERIAL
CE-42/20-1/0-POM	1	157,00	105,00	6,00	Polyacetal