

THORNTON

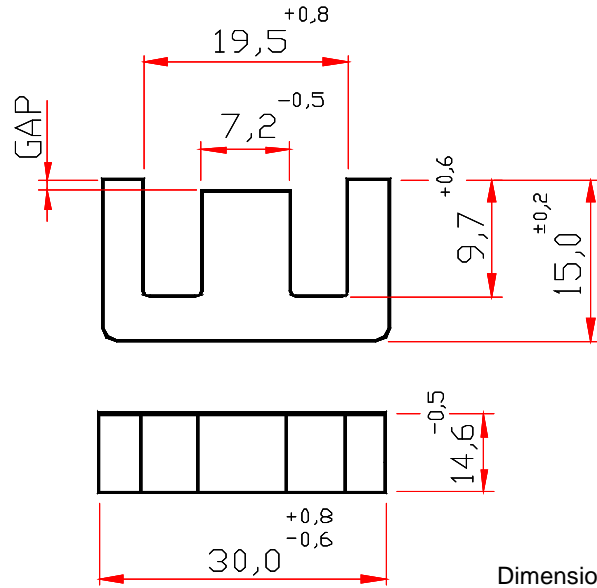
Thornton
Eletrônica Ltda

NEE-30/15/14

Effective Core Parameters:

$\Sigma I/A$	0,55	mm ⁻¹
Le	67,0	mm
Ae	122,0	mm ²
Amin	- - -	mm ²
Ve	8174,0	mm ³

Weight Approx. (piece) 21,0 g



Dimensions in mm

WITH GAP

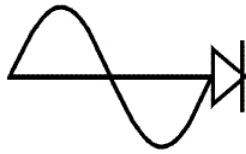
DESCRIPTION ORDER	MATERIAL	Al [nH]	Tol.%	~g [mm]	~ µe
NEE-30/15/14-62-IP12R	IP12R	62	±5	*1,80	27
NEE-30/15/14-70-IP6	IP6	70	±5	*1,52	31
NEE-30/15/14-70-IP12R	IP12R	70	±5	*1,52	31
NEE-30/15/14-70-IP12E	IP12E	70	±5	*1,52	31
NEE-30/15/14-90-IP12R	IP12R	90	±10	2,18	39
NEE-30/15/14-95-IP12E	IP12E	95	±10	2,18	41
NEE-30/15/14-100-IP6	IP6	100	±10	1,93	44
NEE-30/15/14-100-IP12E	IP12E	100	±10	1,93	44
NEE-30/15/14-100-IP12R	IP12R	100	±10	1,93	44
NEE-30/15/14-120-IP6	IP6	120	±10	1,53	53
NEE-30/15/14-120-IP12R	IP12R	120	±10	1,53	53
NEE-30/15/14-120-IP12E	IP12E	120	±10	1,53	53
NEE-30/15/14-150-IP6	IP6	150	±10	1,15	66
NEE-30/15/14-160-IP6	IP6	160	±10	1,06	70
NEE-30/15/14-160-IP12R	IP12R	160	±10	1,06	70
NEE-30/15/14-180-IP6	IP6	180	±10	0,91	79
NEE-30/15/14-200-IP12R	IP12R	200	±10	0,80	88
NEE-30/15/14-220-IP12R	IP12R	220	±10	0,70	96
NEE-30/15/14-225-IP6	IP6	225	±10	0,69	98
NEE-30/15/14-250-IP6	IP6	250	±10	0,60	109
NEE-30/15/14-250-IP12R	IP12R	250	±10	0,60	109
NEE-30/15/14-267-IP6	IP6	267	±10	0,55	117
NEE-30/15/14-300-IP6	IP6	300	±15	0,48	131
NEE-30/15/14-300-IP12R	IP12R	300	±15	0,48	131
NEE-30/15/14-325-IP12R	IP12R	325	±15	0,43	142
NEE-30/15/14-350-IP6	IP6	350	±15	0,39	153
NEE-30/15/14-350-IP12R	IP12R	350	±15	0,39	153
NEE-30/15/14-379-IP6	IP6	379	±15	0,35	166
NEE-30/15/14-400-IP6	IP6	400	±15	0,33	175
NEE-30/15/14-400-IP12R	IP12R	400	±15	0,33	175

* Simetrical gap

WITHOUT GAP

DESCRIPTION ORDER	MATERIAL	Al [nH]	Tol.%	~g [mm]	~ µe
NEE-30/15/14-3500-IP6	IP6	3500	+30 / -20	- - -	1531
NEE-30/15/14-4000-IP12R	IP12R	4000	± 25	- - -	1750

Others AL's by consulting

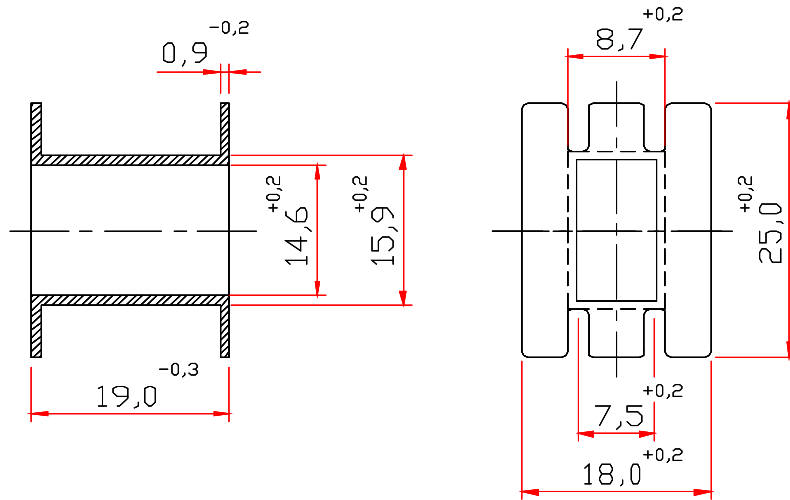


THORNTON

Thornton
Eletrônica Ltda

ACCESSORIES - NEE-30/15/14

COIL FORMER



Dimensions em mm

DESCRIPTION ORDER	NUMBER OF SECTIONS	WINDOW [mm ²]	MEAN LENGTH [mm/turn]	WEIGHT ~ g [mm]	MATERIAL
CE-30/15/14-1/0-POM	1	85,00	67,00	1,60	Poliacetal