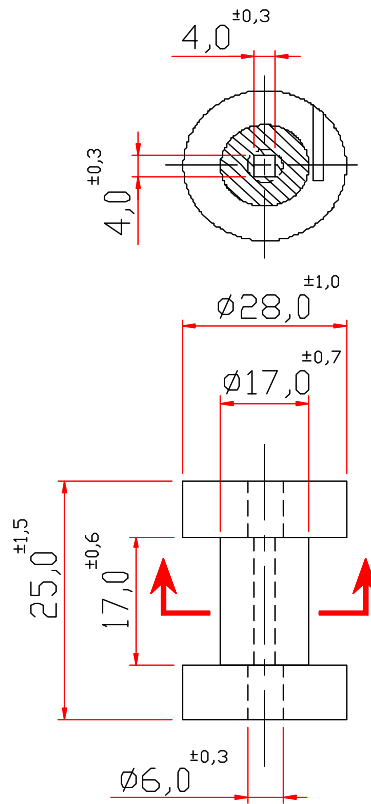


THORNTON

Thornton
Eletrônica Ltda

CNF-28/25



Dimensions in mm

WITHOUT GAP

DESCRIPTION ORDER	MATERIAL	Al [nH]	Tol.%	WEIGHT ~ g
CNF-28/25-100-IP12R	IP12R	100	ref.	39,7
CNF-28/25-100-IP6	IP6	100	ref.	39,7

Note 1: The cores listed above may be supplied with or without coating

Nota 2: In the case of a coated core, the maximum dimensions of the external surfaces are increased in 0.25mm and the minimum dimensions of the internal surfaces are reduced in 0.25mm

Others AL's by consulting