

THORNTON

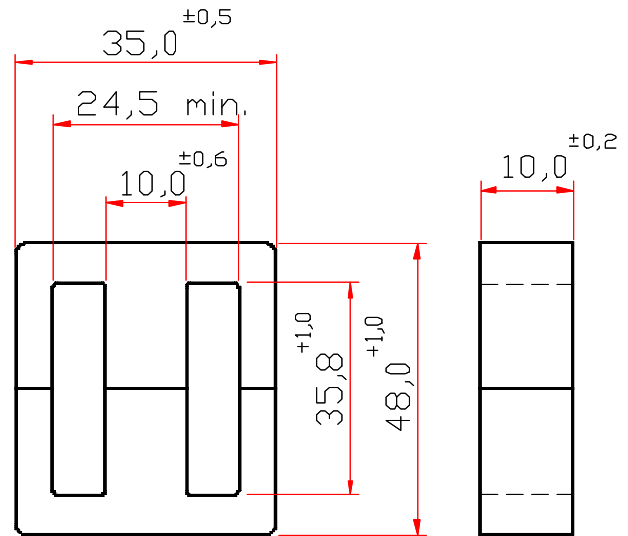
Thornton
Eletrônica Ltda

NEEL-35/24/10

Effective Core Parameters:

SI/A	1,02	mm ⁻¹
Le	103,6	mm
Ae	101,7	mm ²
Amin	- - -	mm ²
Ve	10539,0	mm ³

Weight Approx. (piece) 56,0 g



Dimensions in mm

WITH GAP

Items with gap by consulting

WITHOUT GAP

DESCRIPTION ORDER	MATERIAL	Al [nH]	Tol.%	~g [mm]	~ μe
NEEL-35/24/10-2000-IP6	IP6	2000	+30 / -20	- - -	1624
NEEL-35/24/10-2000-IP12R	IP12R	2000	+30 / -20	- - -	1624

Others AL's by consulting