

**THORNTON**

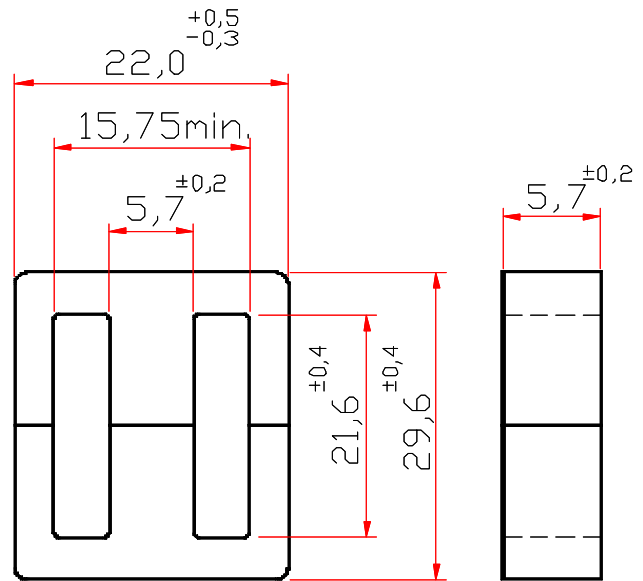
Thornton  
Eletrônica Ltda

**NEEL-22/15/6**

**Effective Core Parameters:**

<b>SI/A</b>	1,85	mm <sup>-1</sup>
<b>Le</b>	63,6	mm
<b>Ae</b>	34,4	mm <sup>2</sup>
<b>Amin</b>	- - -	mm <sup>2</sup>
<b>Ve</b>	2186,0	mm <sup>3</sup>

Weight Approx. (piece) 12,0 g



Dimensions in mm

**WITH GAP**

Items with gap by consulting

**WITHOUT GAP**

DESCRIPTION ORDER	MATERIAL	Al [nH]	Tol.%	~g [mm]	~ μe
NEEL-22/15/6-1100-IP6	IP6	1100	+30 / -20	- - -	1619
NEEL-22/15/6-1100-IP12R	IP12R	1100	+30 / -20	- - -	1619

Others AL's by consulting